



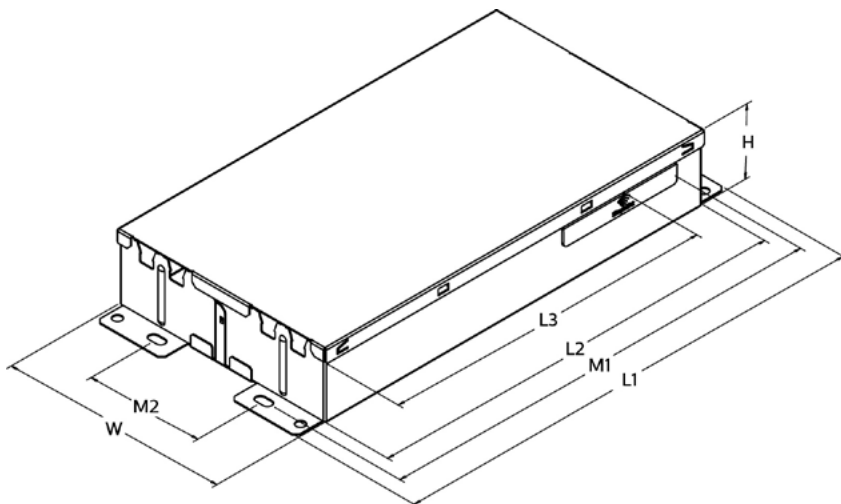
Advance Xitanium outdoor LED drivers with SimpleSet technology are designed to give OEMs ultimate flexibility. With wide operating windows and simple programming, the drivers make it easy for luminaire manufacturers to design luminaires of different sizes and lumen levels for outdoor applications.

Specifications

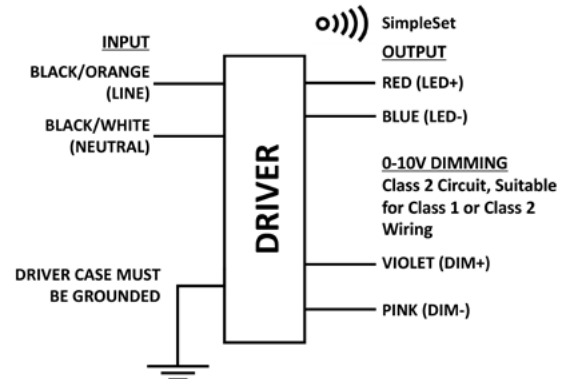
Input Voltage (Vac)	Output Power (W)	Output Voltage (V)	Output Current (A)	Efficiency@ Max Load and 70°C Case	Max. Case Temp. (°C)	Input Current (A)	Max. Input Power (W)	THD @ Max. Load	Power Factor @ Max. Load	Surge Protection (Combi-Wave, kV)	Envir. Protection Rating	Driver Type
347	300	100-300	0.1-1.5	93.7	85°C	1.0	330	<10%	>0.95	6	UL Dry & Damp and Type HL	Constant Current
480				94.5		0.7						

Enclosure

	In. (mm)
Case Length (L2)	8.40 (213.3)
Case Width (W)	4.61 (117.1)
Case Height (H)	1.47 (37.3)
Mounting Length (M1)	8.84 (224.6)
Mounting Width (M2)	2.35 (59.8)
Overall Length (L1)	9.47 (240.6)
Center of SimpleSet Antenna (L3)	6.59 (167.4)



Wiring Diagram



Dimming	Dimming Range	Minimum Output Current (A)
0-10V Analog Class 1 & Class 2 Wiring	10% - 100%	0.1

Warning

- Install in accordance with national and local electrical codes.
- The field-wiring leads or push-in terminals shall be enclosed.



Xitanium XH300C150V300BSR1

300W 347-480V 0.1-1.50A 0-10V with SimpleSet

Features

- 50,000+ hour lifetime¹
- Programmable output current through SimpleSet
- Large operating window
- 6kV combi-wave surge rating to comply with ANSI C82.77-5 CAT C low

Benefits

- Enables long life luminaire designs
- Fast and simple way of programming
- Enables fixture designs with wide variety of loads and current
- No external surge protection required to pass C82.77-5 CAT C low

Application

- Area
- Roadway
- Floodlights
- Parking garages

Electrical Specifications

All the specifications are typical and at 25°C Tcase unless specified otherwise.

Product Data

Order Information	
Full Product Code	XH300C150V300BSR1M (Mid-Pack, 4pcs/Box)
Line Frequency	50/60Hz
Min. Mains Voltage Operational	312Vac
Max. Mains Voltage Operational	528Vac
Output Information	
Maximum Open Circuit Voltage	400Vdc
Output Current Ripple (ripple = peak to average / average)	<= 15% at maximum output current Low frequency (≤120 Hz) content <5%
Output Current Tolerance (in the performance window)	<5%
Protections	Short Circuit, Open Circuit Protection for LED + and LED -, and Thermal Foldback
Features	
0-10V Dimming	150µA (±3%) source current from driver. See dim curve for detail.
AOC (Adjustable Output Current)	0.1A-1.5A via SimpleSet (Factory Default at 1.05A)
Additional SimpleSet Configurable Features	Adjustable Min Dim level, Adjustable Lumen Output, Adjustable Lumen Output Min, OEM Write Protection
Environment & Approbation	
Operating Ambient Temp. Range	-40°C to +55°C
Max Case Temperature (Tcase)	85°C
Agency Approbations	UL 8750, UL Listed, cUL, Class P (UL, cUL)
Electromagnetic Compliance	FCC Title 47 Part 15 Class A
Audible Noise	<24dB Class A
Weight	4.0Lbs/1.8kgs

1. Advance Xitanium LED drivers are manufactured to engineering standards correlating to a designed and average life expectancy of 50,000 hours of operation at maximum rated case temperature. Minimum 90% survivals based on MTTF modeling.

Xitanium XH300C150V300BSR1

300W 347-480V 0.1-1.50A 0-10V with SimpleSet

Electrical Specifications

All the specifications are typical and at 25°C Tcase unless specified otherwise.

0-10V Dimming Curve

Dimming source current from the driver: 150µA (@ 0<Vdim<8V)

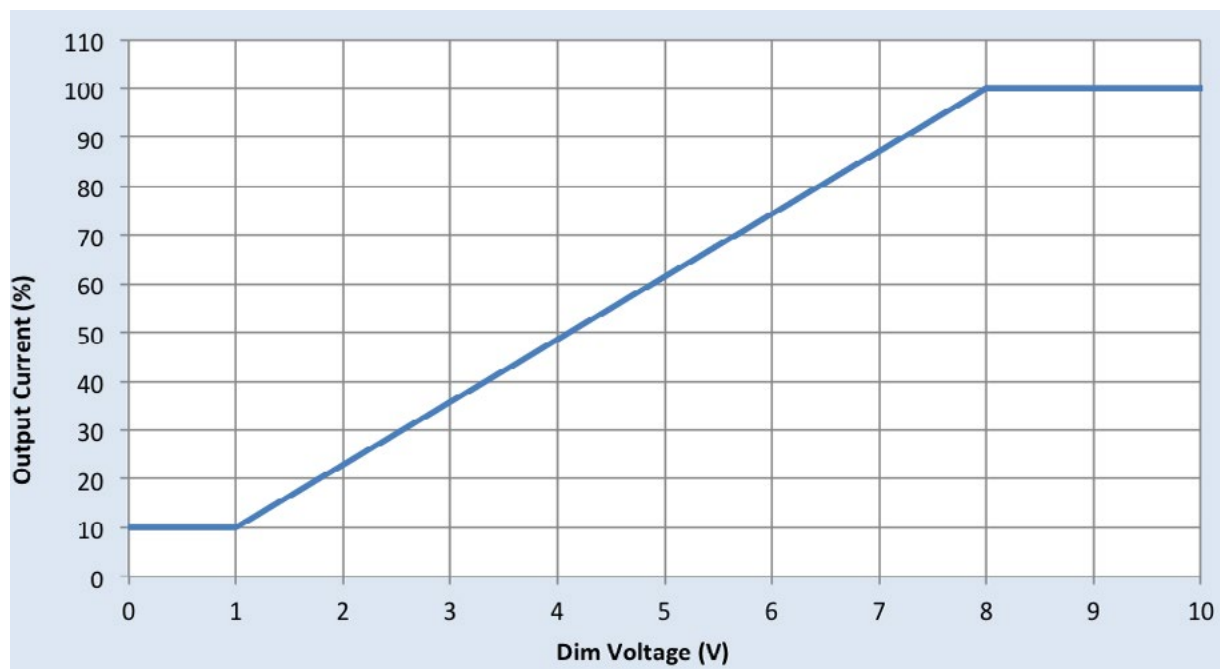
Minimum dim level: Factory default 10% of Iout (minimum 100mA), can be programmed to a higher level via SimpleSet

Maximum output voltage on the dimming wires: 12V

The dimming lead leakage current is 0.01mA. The maximum number of drivers that can be connected in parallel to one dimming control circuit is based on this dimming lead leakage current and the calculation is described in the corresponding Design-in Guide.

Approved Dimmer List

Manufacturer	Manufacturer Part Number
Lutron	Visit www.lutron.com/advance for a list of dimmers (Mark VII) that will work with this driver
Leviton	IllumaTech IP7 series
Advance	Sunrise - SR1200ZTUNV



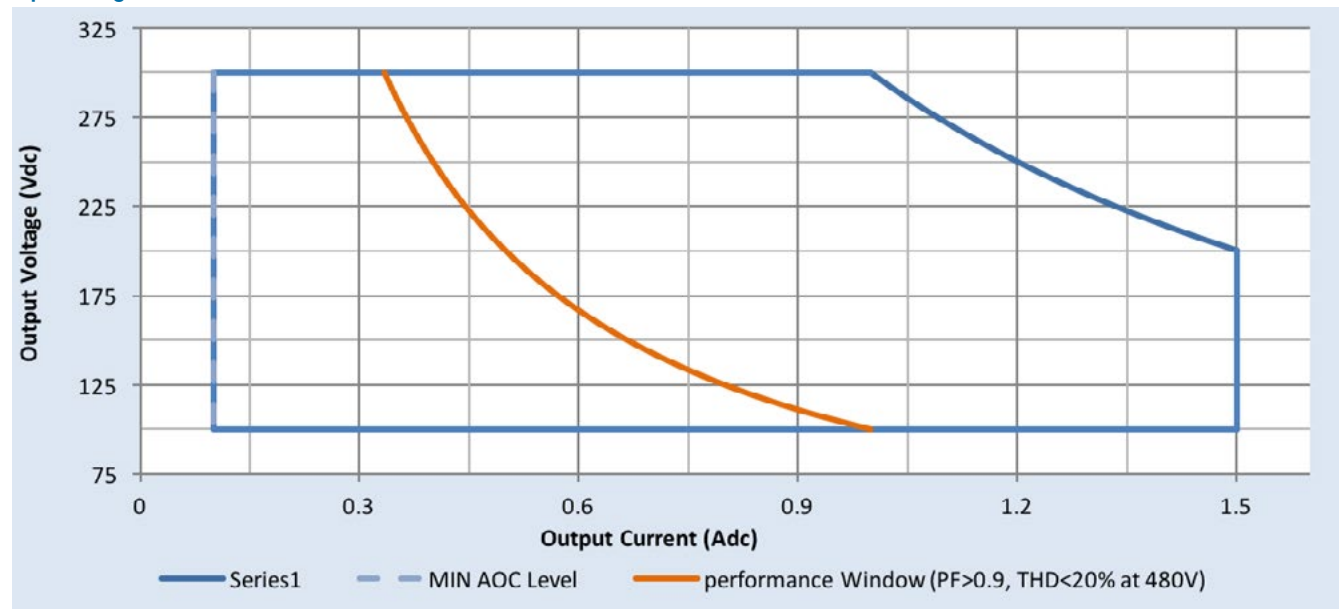
Xitanium XH300C150V300BSR1

300W 347-480V 0.1-1.50A 0-10V with SimpleSet

Electrical Specifications

All the specifications are typical and at 25°C Tcase unless specified otherwise.

Operating Window



Notes

1. Factory default output current is 1.05A.
2. For 10% dimming output current setting through AOC should be >1A.
3. Factory default minimum dimming level is 10%. This can be adjusted between 10% and 100% using Advance MultiOne.

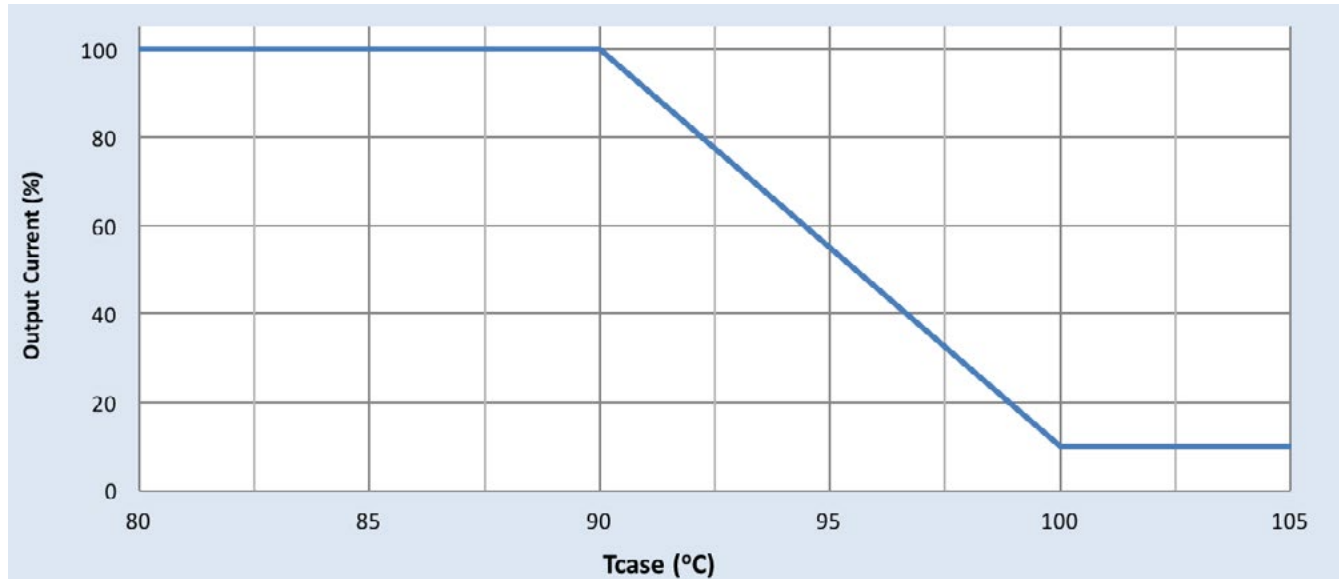
Xitanium XH300C150V300BSR1

300W 347-480V 0.1-1.50A 0-10V with SimpleSet

Electrical Specifications

All the specifications are typical and at 25°C Tcase unless specified otherwise.

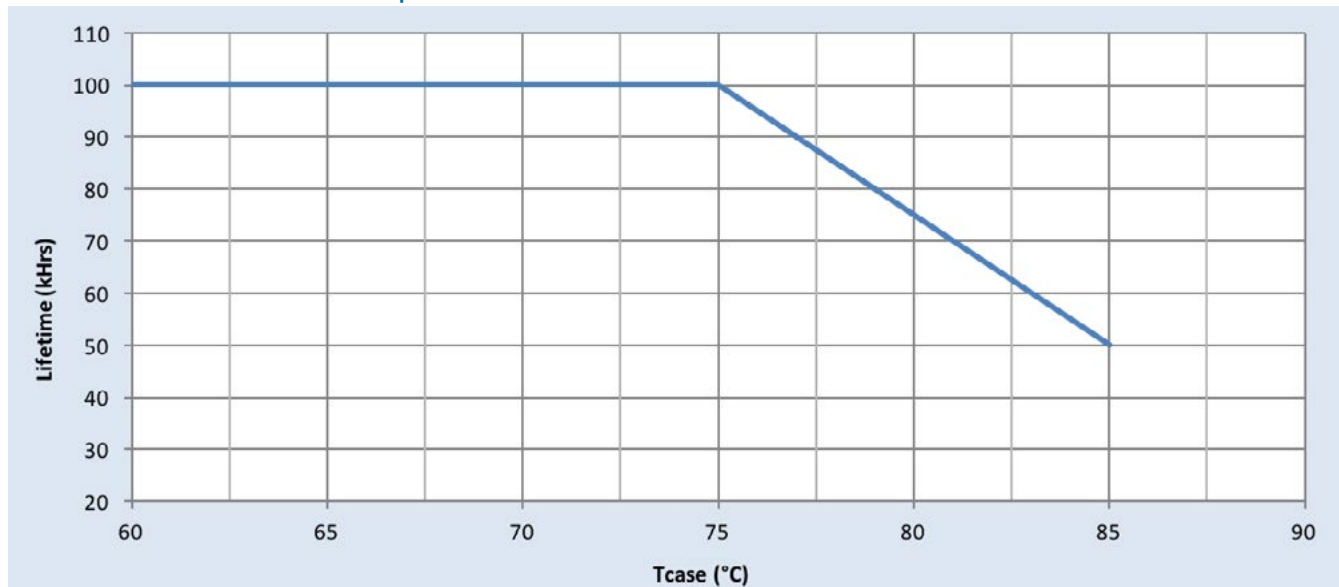
Output Current Vs. Driver Case Temperature



Notes

There is $\pm 5^\circ\text{C}$ tolerance on the driver case temperature.

Driver Lifetime Vs. Driver Case Temperature



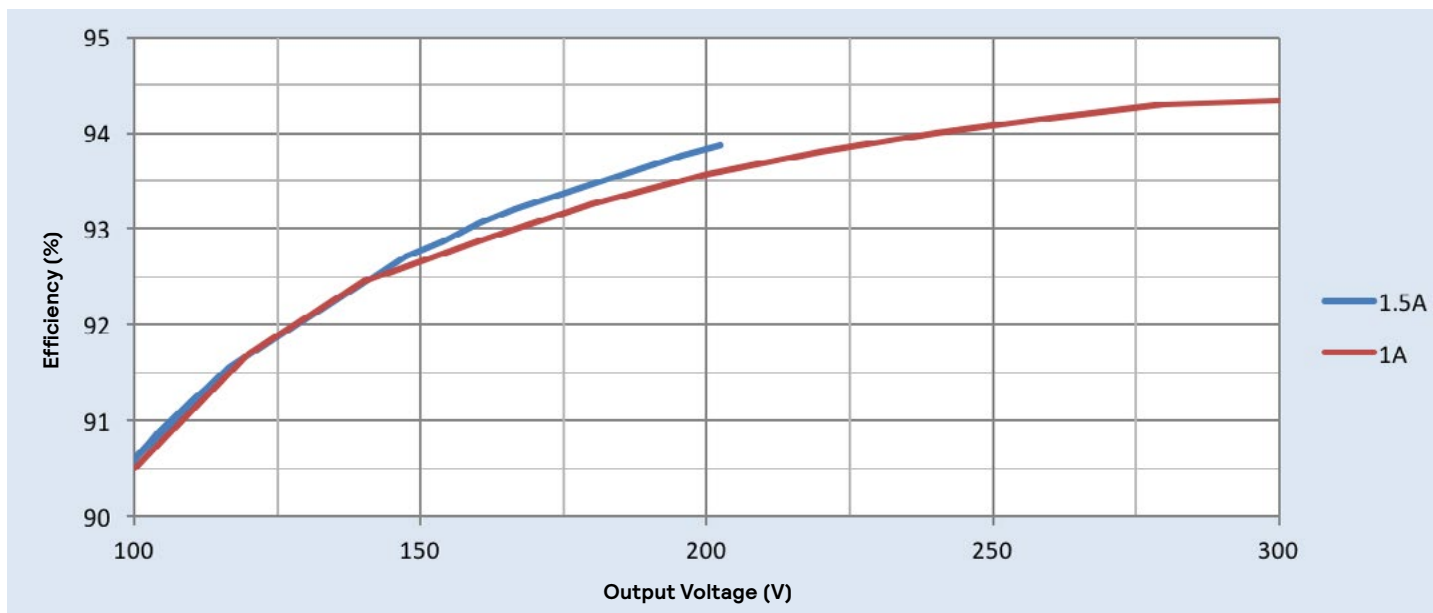
Xitanium XH300C150V300BSR1

300W 347-480V 0.1-1.50A 0-10V with SimpleSet

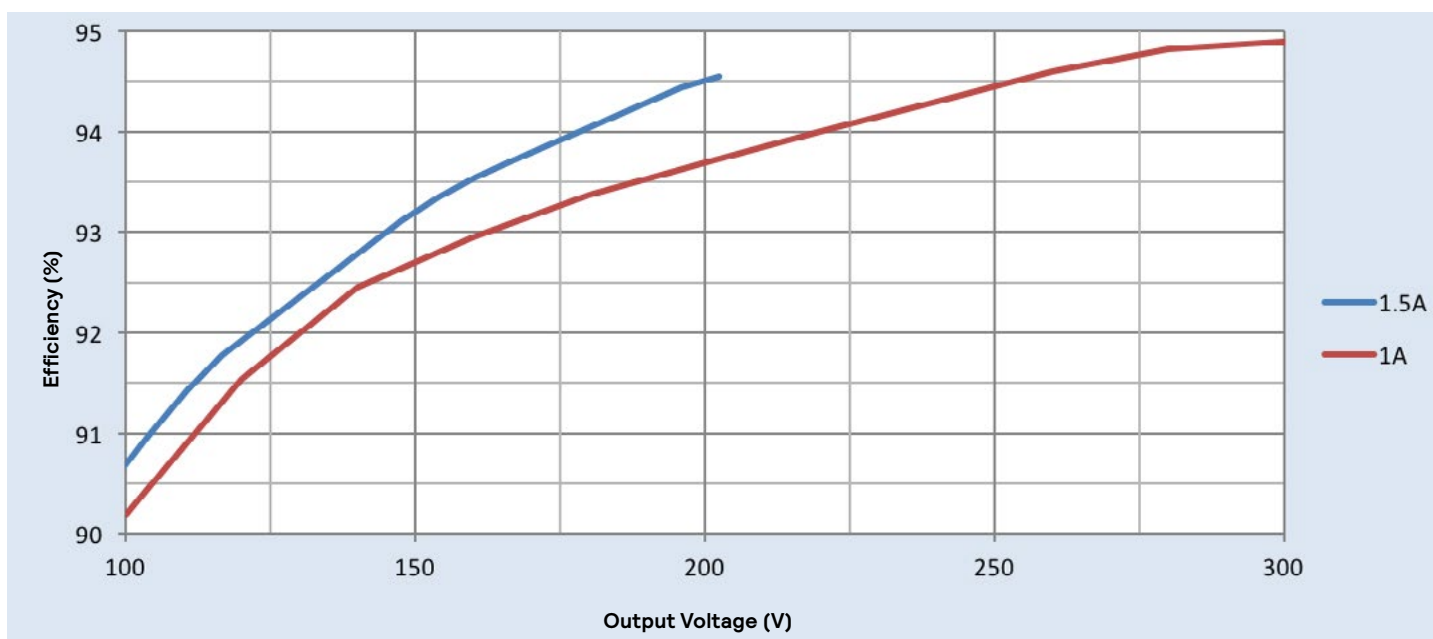
Performance Characteristics

Based on measurements on a typical sample at 75°C Case. The accuracy of the measurements is within the tolerance of the measurement instruments.

Efficiency Vs. Output Voltage at 347Vac



Efficiency Vs. Output Voltage at 480Vac



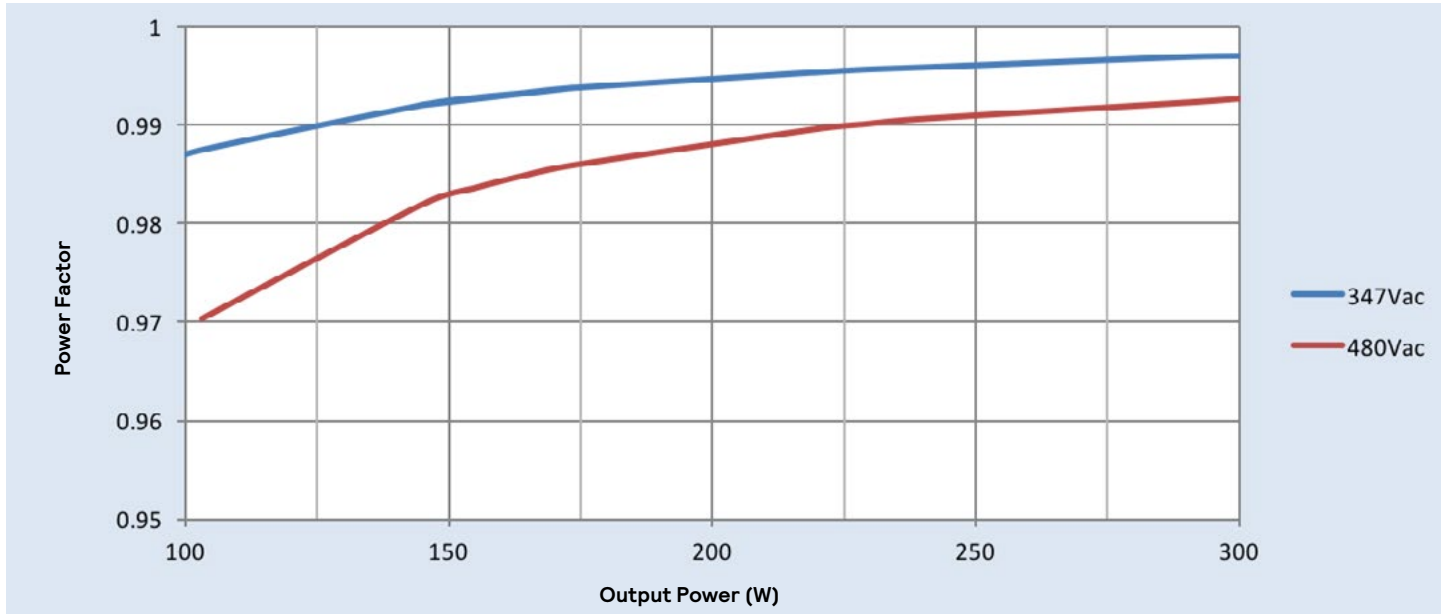
Xitanium XH300C150V300BSR1

300W 347-480V 0.1-1.50A 0-10V with SimpleSet

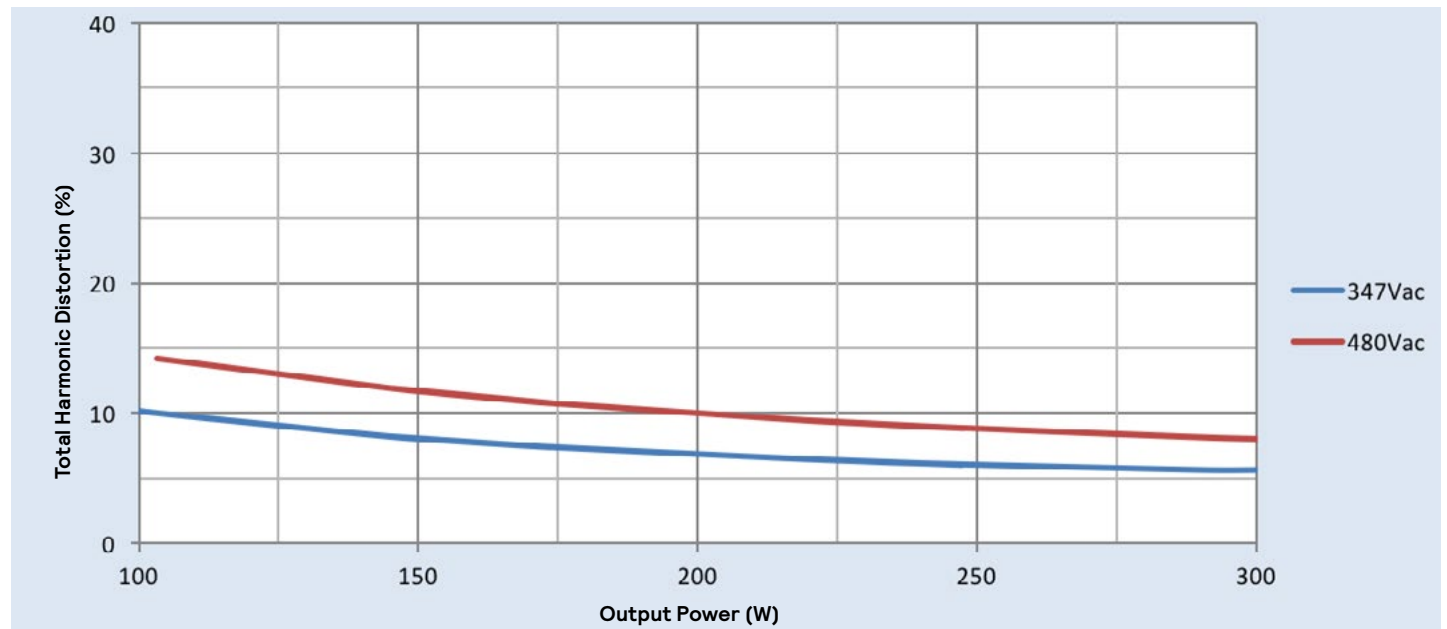
Performance Characteristics

Based on measurements on a typical sample at 75°C Case. The accuracy of the measurements is within the tolerance of the measurement instruments.

Power Factor Vs. Output Power



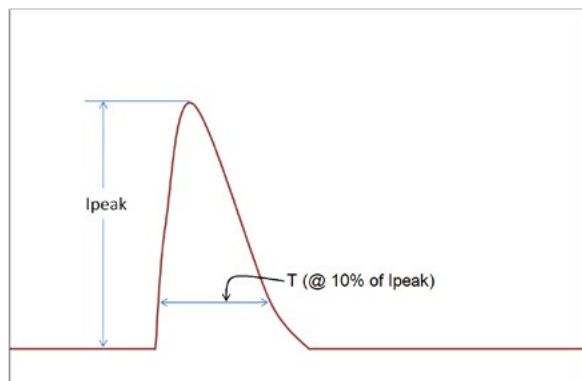
Total Harmonic Distortion (THD) Vs. Output Power



Xitanium XH300C150V300BSR1

300W 347-480V 0.1-1.50A 0-10V with SimpleSet

Inrush Current Info



Vin	Ipeak	T (@ 10% of Ipeak)
347 Vrms	64.9A	224µS
480 Vrms	105.7A	222µS

Inrush current is measured at peak of the corresponding line voltage. Source impedance per NEMA 410.

Lightning Surge Info

ANSI Surge Type	Differential Mode (L-N)	Common Mode (L-G, N-G, L&N-G)
1.2/50µs Combination Wave (w/t 2 ₂)	6kV	6kV

Isolation

Isolation	Input	Output	0-10V (Class 2)	Enclosure
Input	NA	2xU+1kV	2xU+1kV	2xU+1kV
Output	2xU+1kV	NA	2xU+1kV	2xU+1kV
0-10V (Class 2)	2xU+1kV	2xU+1kV	NA	2xU+1kV
Enclosure	2xU+1kV	2xU+1kV	2xU+1kV	NA

U = Max input voltage

The information presented in this document is not intended as any commercial offer and does not form part of any quotation or contract.



© 2022 Signify Holding. All rights reserved. The information provided herein is subject to change, without notice. Signify does not give any representation or warranty as to the accuracy or completeness of the information included herein and shall not be liable for any action in reliance thereon. The information presented in this document is not intended as any commercial offer and does not form part of any quotation or contract, unless otherwise agreed by Signify.

Signify North America Corporation
400 Crossing Blvd, Suite 600
Bridgewater, NJ 08807
Telephone: 855-486-2216

Signify Canada Ltd.
281 Hillmount Road,
Markham, ON, Canada L6C 2S3
Telephone: 800-668-9008

All trademarks are owned by Signify Holding or their respective owners.