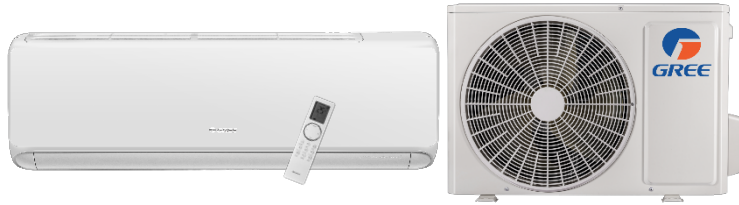




Charmo R32

Ductless Single Zone Heat Pump



Eligible for certain government programs

Performance up to:



Up to:



Features

Operation mode
Nominal capacity
Voltage

Indoor unit

Outdoor unit

System features

Refrigerant

Warranty

Application

- Cooling, heating, dehumidifying, fan and auto.
- 9000, 12000, 18000, 24000, 30000, 36000 BTU/hr.
- 208/230V, 60 Hz, 1-phase.
- Low voltage startup
- Auto-Clean Function on Indoor Unit
- 7-speed crossflow fan (auto, turbo, high, medium-high, medium, low and very low).
- Washable filters.
- Variable speed rotary compressor (INVERTER), with overload protection.
- Compact and Quiet Design
- Blue Fin - 500 Hrs Salt Spray Tested
- Coil (Indoor and Outdoor) Copper Tube / Aluminum Fin
- Self-diagnosis
- Basepan with electric heater
- Low Ambient Cooling down to -18°C (-0°F)
Set temperature range -18°C to 48°C (0°F to 118°F)
- Low Ambient Heating down to -25°C (-13°F)
Set temperature range -25°C to 24°C (-13°F to 75°F)
- Temperature display format: °C or °F.
- Intelligent defrosting
- Intelligent preheating
- Memory and power failure recovery
- Swing Louver Control
- Wi-Fi Included (Factory Installed)
- New R32 Refrigerant
- A2L leak detection sensor, included
- **10-year basic warranty on parts and 10-year basic warranty on the compressor (labor not included).**
- **+2 years extended warranty with registration when purchased from Wolseley.**
- Dining room-kitchen, living room, family room, commercial building, office building, condo, restaurant

Remote controller functions

- Auto clean
- Auto fan
- Auto swing (horizontal auto swing)
- Auto swing (vertical auto swing)
- Dry anti-mildew (X-Fan) mode
- Dirty filter alert
- Fan speed control (7 speeds)
- I Feel function
- Child lock
- Quiet mode
- Room temperature display
- Timer mode
- Turbo mode



YBE1FB



XK76
(Wall controller optional)



Approval Drawings

X60060C

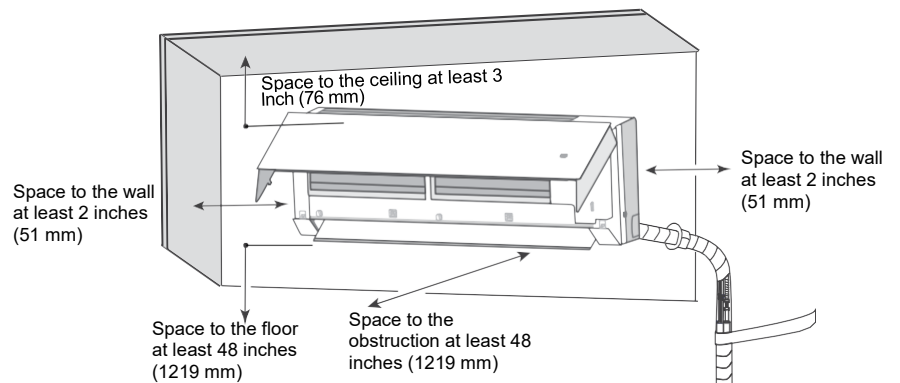
Product #	Indoor Unit		GWH09ATCXB-D6DNA4D/I	GWH12ATCXB-D6DNA4B/I	GWH18ATDXD-D6DNA4F/I	GWH24ATEXF-D6DNA4H/I	GWH30ATEXH-D6DNA1G/I	GWH36ATEXH-D6DNA1G/I	
	Outdoor Unit		GWH09ATCXB-D6DNA4D/O	GWH12ATCXB-D6DNA4B/O	GWH18ATDXD-D6DNA4F/O	GWH24ATEXF-D6DNA4H/O	GWH30ATEXH-D6DNA1G/O	GWH36ATEXH-D6DNA1G/O	
Qty									
Technical Performance									
Voltage		Volts	208/230	208/230	208/230	208/230	208/230	208/230	
Cooling capacity	Nominal	W (BTU/hr)	2667 (9100)	3517 (12000)	5275 (18000)	7034 (24000)	8800 (30000)	9850 (33600)	
	Min. – max.	W (BTU/hr)	700 - 3500 (2388 - 10300)	900 - 3900 (3070 - 13300)	1100 - 5950 (3753 - 20300)	1700 - 7700 (5800 - 26270)	880 - 10550 (3000 - 36000)	2300 - 11000 (7850 - 37500)	
Heating capacity	Nominal	W (BTU/hr)	2931 (10000)	3517 (12000)	5600 (19100)	7034 (24000)	8800 (30000)	9965 (34000)	
	Min. – max.	W (BTU/hr)	650 – 3517 (2217- 12000)	900 - 3546 (3070 - 12100)	800 - 6600 (2730 - 22500)	1600 - 7034 (5400 - 24000)	1700 - 10400 (5800 - 35500)	2930 - 11000 (10000 - 37500)	
Used cooling power input	Nominal	W	729	1231	1500	2010	2750	3169	
	Min. – max.	W	180 - 1050	180 - 1550	200 – 2300	500 - 2400	250 - 4000	700 - 4000	
Used heating power input	Nominal	W	771	1004	1435	1950	2750	3267	
	Min. – max.	W	180 – 1300	180 – 1650	260 – 2300	400 - 2600	330 - 4000	650 - 4000	
Used rated input		W	1300	1650	2300	2600	4000	4000	
Rated current		A	7	7.47	9.5	12	11.8	13.5	
MCA		A	10	12	13	15	27	24	
Max. over-current protection (MOCP)		A	15	15	15	20	30	35	
SEER2		-	20.5	19	20	19	22	21	
HSPF2		-	8.8	8.5	8.5	8.5	9	8.5	
EER2		BTU/h	12.5	9.75	12.35	11.9	10.9	10.6	
EER		W/W	3.66	2.85	3.52	3.5	3.2	3.11	
COP		W/W	3.8	3.5	3.9	3.6	3.2	3.05	
AHRI number		-	215386291	215402236	215224737	215390442	214797816	214568849	
ENERGY STAR		-	-	-	-	-	-	-	
Indoor Unit									
Dehumidification		pt/hr (l/hr)	1.69 (0.80)	2.96 (1.4)	3.80 (1.8)	5.28 (2.5)	7.4 (3.5)	7.4 (3.5)	
Air flow volume		cfm	353 / 282 / 265 / 230 / 212 / 194 / 159	424 / 353 / 324 / 277 / 247 / 224 / 182	618 / 512 / 471 / 435 / 394 / 335 / 282	677 / 589 / 559 / 500 / 471 / 441 / 412	794 / 647 / 618 / 559 / 500 / 471 / 441	794 / 647 / 618 / 559 / 500 / 471 / 441	
Sound pressure level		dB (A) H/M/L	37 / 32 / 27	39 / 35 / 32	49 / 44 / 38	47 / 41 / 38	45 / 41 / 38	45 / 41 / 38	
Fan motor power output		W	20	55	50	50	110	60	
Fan motor RLA		A	0.4	0.7	0.7	0.6	0.8	0.7	
Deflector stepper motor power output		W	1.5	1.5	1.5	1.5	2.5	2.5	
Net weight		lb (kg)	19.8 (9)	19.8 (9)	28.7 (13)	33.1 (15)	34.2 (15.5)	34.2 (15.5)	
Outdoor Unit									
Air flow volume		m3/hr	1950	1950	2520	3200	4500	4500	
Sound level		dB (A)	61	62	67	68	72	72	
Compressor power input		W	630	857	953	1330	1775	2294	
Compressor LRA		A	-	-	20	35	38	40	
Compressor RLA		A	6.5	8	8.5	10	18.5	16	
Fan motor power output		W	30	30	30	50	90	90	
Fan motor RLA		A	0.65	0.8	0.8	1	1.7	1.7	
Refrigerant volume (R32)		oz (g)	18.7 (530)	17.6 (500)	32.5 (920)	42.3 (1200)	56.4 (1600)	56.4 (1600)	
Net weight		lb (kg)	52.9 (24)	56.2 (25.5)	70.6 (32)	93.7 (42.5)	116.8 (53)	122.4 (55.5)	
Operating ambient temperature	Cooling	°C (°F)	-18~48 (0~118)				-20~50 (-4~122)		
	Heating	°C (°F)	-25~24 (-13~75)						

Product #	Indoor Unit	GWH09ATCXB-D6DNA4D/I	GWH12ATCXB-D6DNA4B/I	GWH18ATDXD-D6DNA4F/I	GWH24ATEXF-D6DNA4H/I	GWH30ATEXH-D6DNA1G/I	GWH36ATEXH-D6DNA1G/I
	Outdoor Unit	GWH09ATCXB-D6DNA4D/O	GWH12ATCXB-D6DNA4B/O	GWH18ATDXD-D6DNA4F/O	GWH24ATEXF-D6DNA4H/O	GWH30ATEXH-D6DNA1G/O	GWH36ATEXH-D6DNA1G/O
Connection Piping/Refrigerant							
Pre-charge length	ft. (m)	24.6 (7.5)	24.6 (7.5)	24.6 (7.5)	24.6 (7.5)	24.6 (7.5)	24.6 (7.5)
Additional refrigerant charge	oz/ft. (g/m)	0.2 (16)	0.2 (16)	0.2 (16)	0.1 (12)	0.4 (40)	0.4 (40)
Liquid pipe outer diameter	in.	1/4	1/4	1/4	1/4	1/4	1/4
Gas pipe outer diameter	in.	3/8	3/8	1/2	1/2	5/8	5/8
Maximum height difference	ft. (m)	39.4 (12)	40 (12.2)	82 (25)	82 (25)	82 (25)	82 (25)
Maximum total length	ft. (m)	65.6 (20)	65.6 (20)	131.2 (40)	131.2 (40)	131.2 (40)	131.2 (40)

Clearance

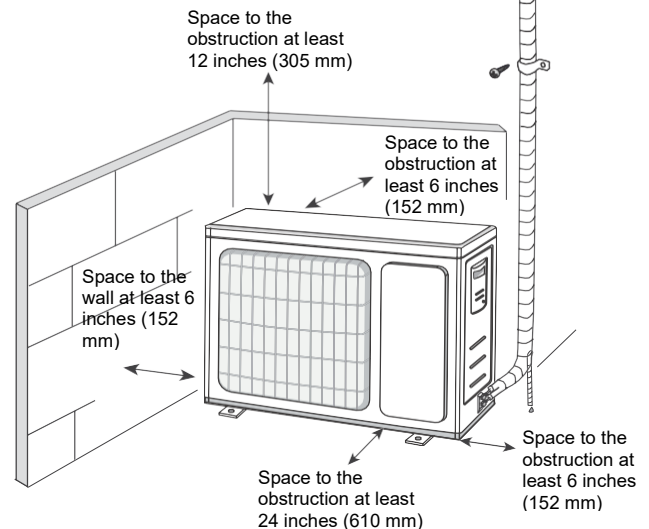
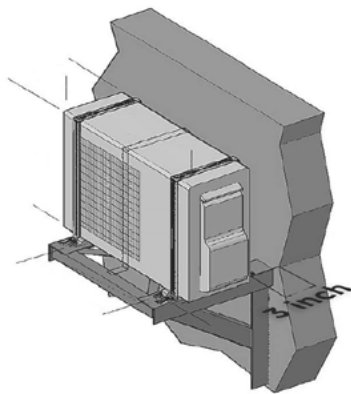
INDOOR UNIT

Minimum clearance



OUTDOOR UNIT

Minimum clearance



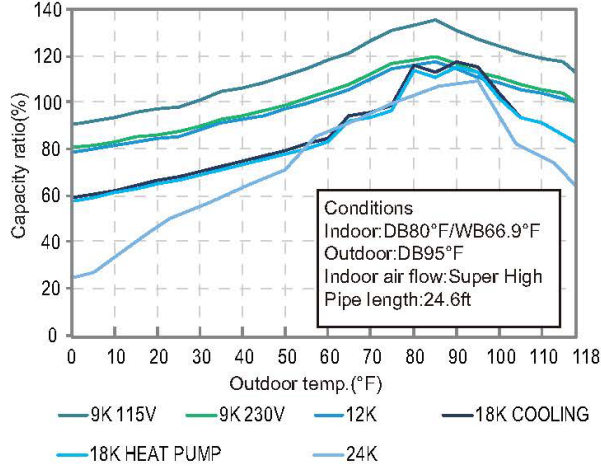
NOTE:

If bottom of the unit is free of airflow obstructions similar to the mounting bracket figure, the clearance to the wall on the back can be reduced to 3 inches. (76 mm)

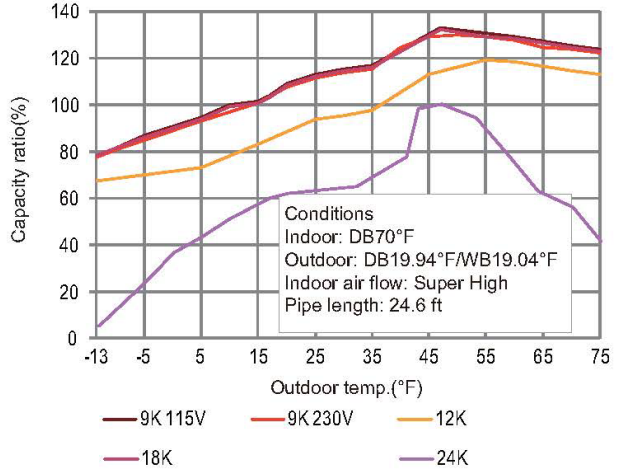
Capacity Variation Ratio According to Temperature

For cooling temperature range of 0~118°F models

Cooling:

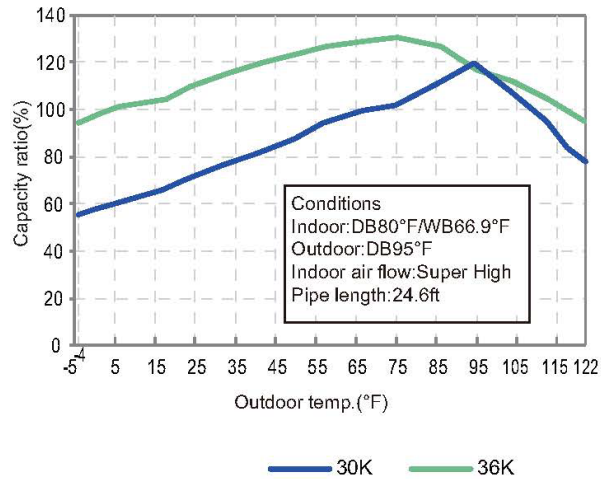


Heating:

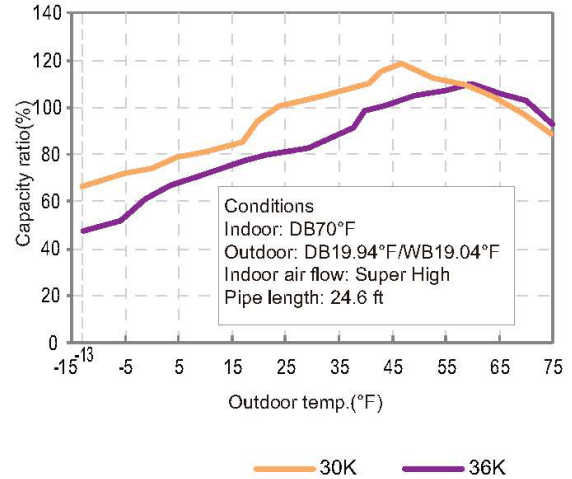


For cooling temperature range of -4~122°F models

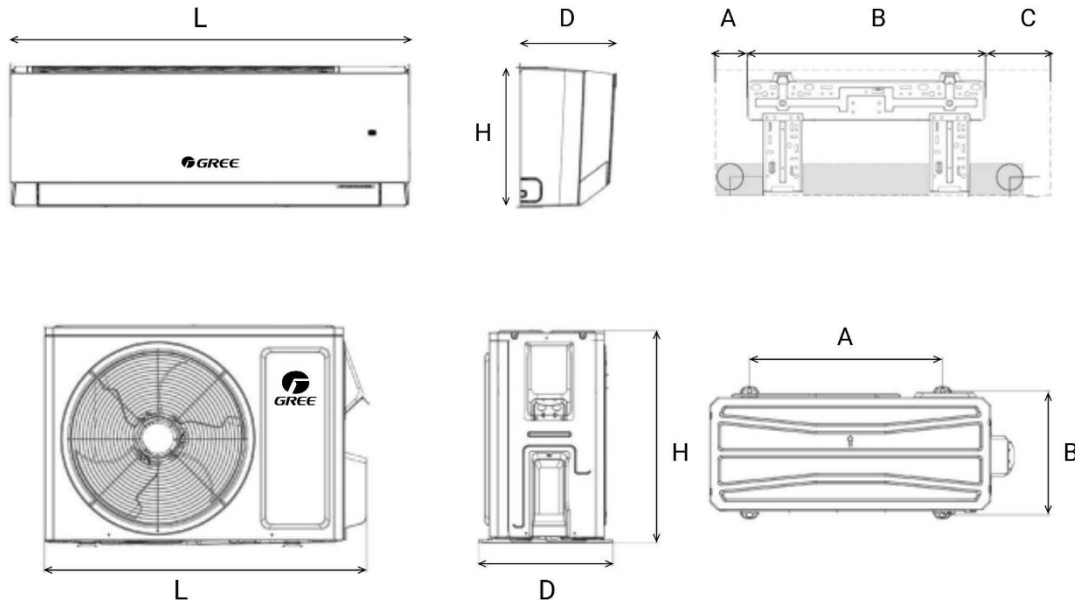
Cooling:



Heating:



Dimensions



Indoor Unit	L		H		D		A		B		C	
	in.	mm	in.	mm	in.	mm	in.	mm	in.	mm	in.	mm
GWH09ATCXB-D6DNA4D/I GWH12ATCXB-D6DNA4B/I	32 7/8	835	10 53/64	275	7 7/8	200	7	178	18 3/16	462	7 43/64	195
GWH18ATDXD-D6DNA4F/I	37 8/64	943	13 7/64	333	9 11/16	246	7 9/16	192	22 1/8	562	7 31/64	190
GWH24ATEXF-D6DNA4H/I GWH30ATEXH-D6DNA1G/I GWH36ATEXH-D6DNA1G/I	42 7/16	1078	13 7/64	333	9 11/16	246	6 7/32	158	22 1/8	562	10 5/32	258

Outdoor Unit	L		H		D		A		B	
	in.	mm	in.	mm	in.	mm	in.	mm	in.	mm
GWH09AVDXE-D6DNA1A/O GWH12AVDXE-D6DNA1B/O	28 13/16	732	21 27/32	555	13	330	17 29/32	455	12 13/64	310
GWH18AVEXF-D6DNA1B/O	31 37/64	802	21 27/32	555	13 50/64	350	20 5/32	512	13 5/64	332
GWH24AVEXH-D6DNA1B/O	37 23/32	958	26	660	15 53/64	402	22 7/16	570	14 41/64	372
GWH30ATEXH-D6DNA1G/O GWH36ATEXH-D6DNA1G/O	39 24/64	1000	29 24/26	746	16 52/64	427	24	610	15 35/64	395

Specifications, information, and availability are subject to change without notice. The details provided in this brochure are accurate as of the time of printing; please contact us or visit our website to confirm the most current information

Project:	Approval Information
Consultant Engineer:	
Electrical Contractor:	
Distributor:	
Date:	
Contact Dettson:	
Comments:	