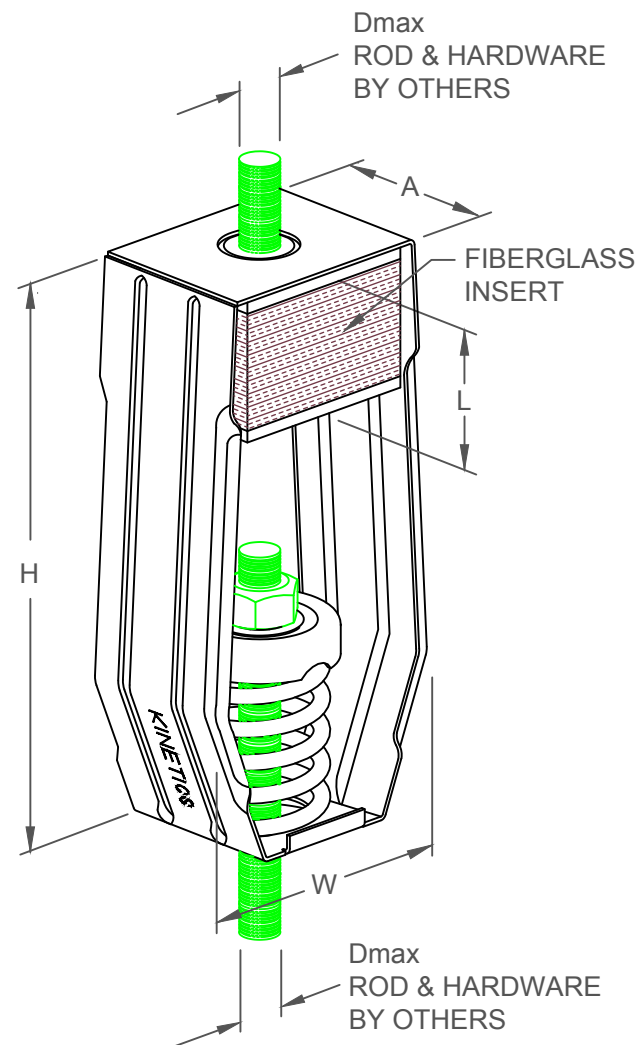


# SFH 2" DEFLECTION ISOLATION HANGERS

IP UNITS (INCHES AND POUNDS)

TYPE	L	H	W	A	DMAX
2-260/1200	2.00	8.59	5.58	3.63	1.00

STANDARD RATINGS				SPRING COIL			FIBERGLASS INSERT DENSITY
TYPE	SIZE	LOAD	DEFL.	COLOR	FREE HT.	O.D.	
SFH	2-260	260	2.20	BLUE	4.20	3.00	L
SFH	2-465	465	2.02	GREEN	4.20	3.00	L
SFH	2-720	720	1.93	BLACK	4.20	3.00	Q
SFH	2-850	850	2.01	WHITE	4.25	3.00	Q
SFH	2-1025	1025	1.81	BEIGE	4.25	3.00	R
SFH	2-1200	1200	1.77	CHROME	4.50	3.00	R



## SPECIFICATIONS:

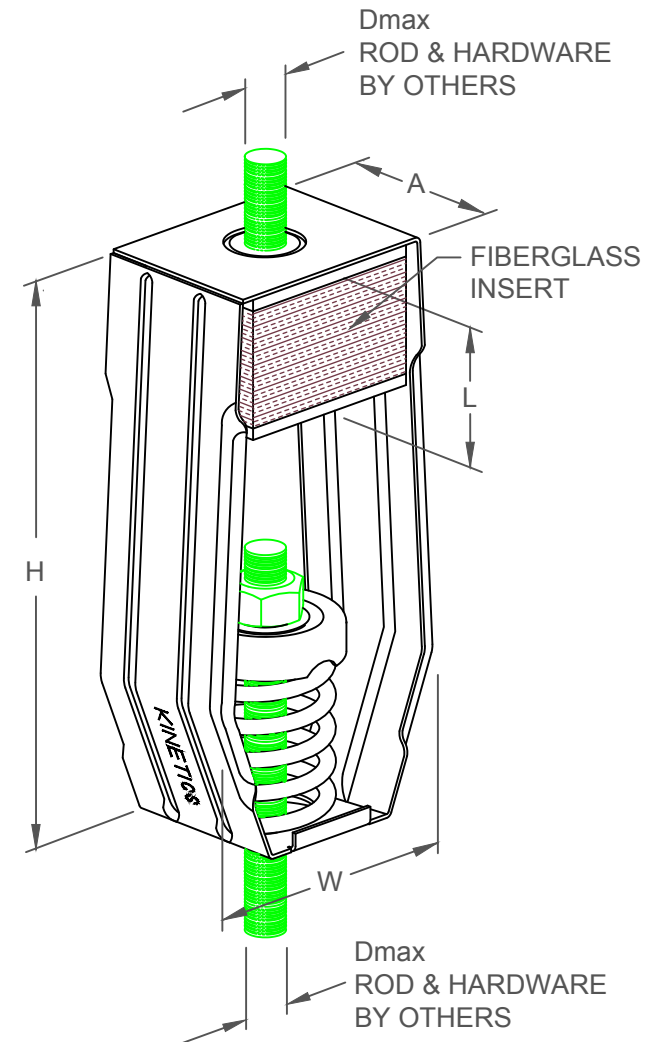
- SPRING ELEMENTS AND BRACKETS ARE POWDER COATED.
- LOAD PLATES ARE BRIGHT ZINC PLATED.
- ISOLATION HANGERS HAVE A TYPICAL OVERLOAD OF 50%.
- ISOLATION HANGERS HAVE A MINIMUM Kx/Ky RATIO OF 1.4.
- SPRING ELEMENTS ARE SAFE AT SOLID LOADING.
- HANGER BRACKETS WILL CARRY (5) TIMES OVERLOAD WITHOUT FAILURE.
- HANGER BRACKETS WILL ALLOW 30° ROD MISALIGNMENT WITHOUT SHORT CIRCUITING.
- ISOLATION HANGERS INCORPORATE "NO SHORT" STEP CAP.

# SFH 51 mm DEFLECTION ISOLATION HANGERS

S-I UNITS (mm AND kg)

TYPE	L	H	W	A	DMAX
2-260/1200	51	218	142	92	25

STANDARD RATINGS				SPRING COIL			FIBERGLASS INSERT DENSITY
TYPE	SIZE	LOAD	DEFL.	COLOR	FREE HT.	O.D.	
SFH	2-260	118	56	BLUE	107	76	L
SFH	2-465	211	51	GREEN	107	76	L
SFH	2-720	327	49	BLACK	107	76	Q
SFH	2-850	386	51	WHITE	108	76	Q
SFH	2-1025	465	46	BEIGE	108	76	R
SFH	2-1200	544	45	CHROME	114	76	R



## SPECIFICATIONS:

- SPRING ELEMENTS AND BRACKETS ARE POWDER COATED.
- LOAD PLATES ARE BRIGHT ZINC PLATED.
- ISOLATION HANGERS HAVE A TYPICAL OVERLOAD OF 50%.
- ISOLATION HANGERS HAVE A MINIMUM Kx/Ky RATIO OF 1.4.
- SPRING ELEMENTS ARE SAFE AT SOLID LOADING.
- HANGER BRACKETS WILL CARRY (5) TIMES OVERLOAD WITHOUT FAILURE.
- HANGER BRACKETS WILL ALLOW 30° ROD MISALIGNMENT WITHOUT SHORT CIRCUITING.
- ISOLATION HANGERS INCORPORATE "NO SHORT" STEP CAP.